

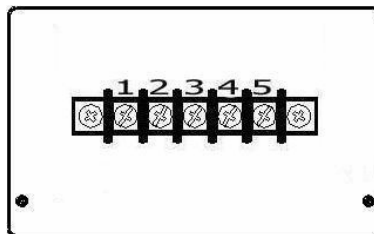
MAXI Thin Fan™



INSTALLATION INSTRUCTIONS

Thoroughly study all system components before proceeding with installation. Carefully review the mounting location options.

Maxi Thin Fan™ applications should be connected directly, through its 15-amp fuse, to the battery. **Do not exceed this 15-amp fuse. Warning: Do not connect Maxi Thin Fan's power lead to Premier (Terminal 5) or Hotdog (Terminal 7) as this can cause an over current condition leading to Premier/Hotdog and Maxi system failure, endangering the K-9.**



Maxi Thin Fan™ Connections:

PIN 1 -- System Power 12VDC: Connect the **RED** wire of the 12' Red/Black zip wire direct from the vehicle battery via the 15-amp fuse link.

PIN 2 -- Ground: Connect the **BLACK** wire of the 12' Red/Black zip wire direct from the vehicle battery ground. **Caution: Do not reverse the polarity.**

PIN 3 -- Fan Power 12VDC: Connect the **RED** wire of the 6' Red/Black zip wire to the fan.

PIN 4 -- Fan Ground: Connect the **BLACK** wire of the 6' Red/Black zip wire to the fan.

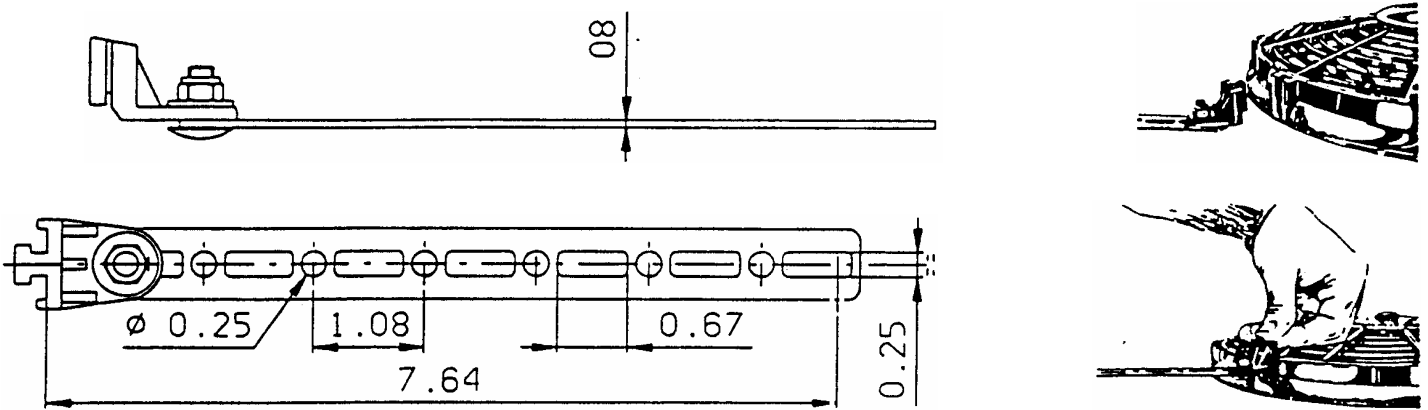
PIN 5 -- Trigger: 4' single 16awg **RED** wire connects to Terminal # 3 of **Premier** or Terminal # 6 of **Hotdog™**.

Note: If an additional alerting device (i.e. horn, lights) is connected to the Premier (Terminal 3) or Hotdog™ (Terminal 6) it must be isolated as detailed in the Premier Canine System™ and/or Hotdog™ instructions.

The fan runs only at "High" when triggered by the alerting unit but when turned on by the switch it runs at variable speed. Once triggered, the fan will run at "High Speed" until the Premier/Hotdog control box is switched off. Please note that the fan will remain on for 15 to 20 seconds after the control box is switched off.

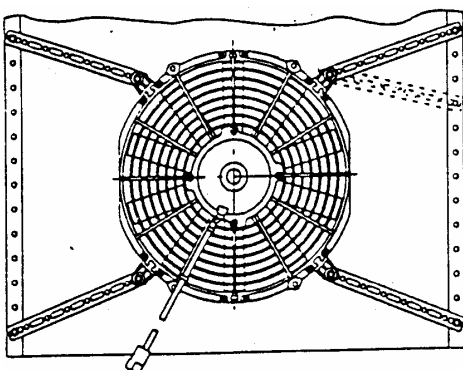
The fan control box must be mounted to a metal surface to assist in dissipating heat from the resistor. Do not mount on a surface that is heat sensitive, as the control box will get hot during longer periods of operation.

The control for the fan can be mounted under the dash or to the dog cage to a metal surface with the screw clip provided. The control box generates heat. Be sure to study the position to mount the control keeping it away from heat sensitive materials such as plastic or vinyl.

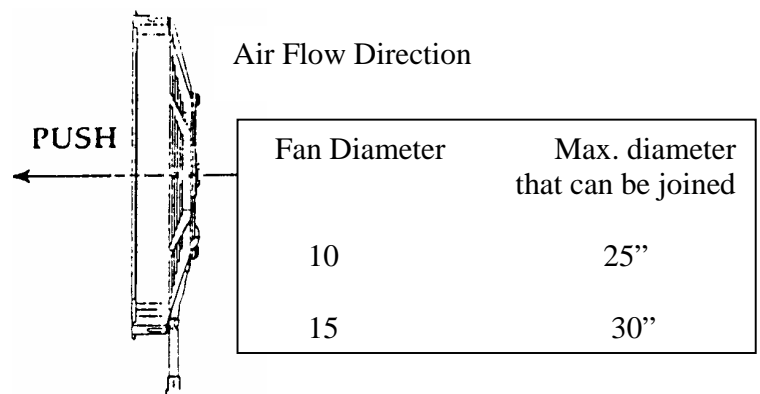


Mounting Bracket Kit
Consists of 4 brackets. 4 rods and 4 fixing bolt.

Mounting brackets slide into place
4 positions around the fan.



The Brackets can be fixed as you like and the rods can rotate to the most convenient position for



The chart above depicts the maximum diameter that can be connected with mounting kit and size of fan selected. Example: a 10" fan with mounting brackets. attached can span a maximum area of 25 inches.

Optional Mounting of Maxi Thin Fan

The Maxi Thin Fan can be surface mounted to the dog cage window grill covers.

1. Remove the front metal grill cover from the Maxi Thin Fan.
2. Remove the mounting bracket kit if attached to the fan.
3. Find a location on the metal window grill on the glass side that will leave enough room for the window to freely move up and down without hitting the fan.
4. Place one flat washer between the fan and the grill for each of the four mounting bracket holes.
5. Place one flat washer on the top of the fan-mounting hole to protect the mounting bracket holes from damage.
6. Use four nuts and bolts to secure the fan to the window grill.
7. Also use a flat washer on the bolt to stop it from going through the grill.
8. You may need to notch the top of the door cover in order to run the Maxi Thin Fan power wires to the control unit through the door cavity and boot, keeping wires out of K-9's reach.
9. Secure the wiring to the grill with tie wraps as needed to prevent them from being damaged.

Maxi Thin Fan (Mounted directly to window grill)



Technical assistance:

Criminalistics, Inc.

Ph. (360) 496-6363, Fax (360) 496-6210 or

Email us at Info@criminalisticsinc.com

Visit our WEBSITE www.criminalisticsinc.com